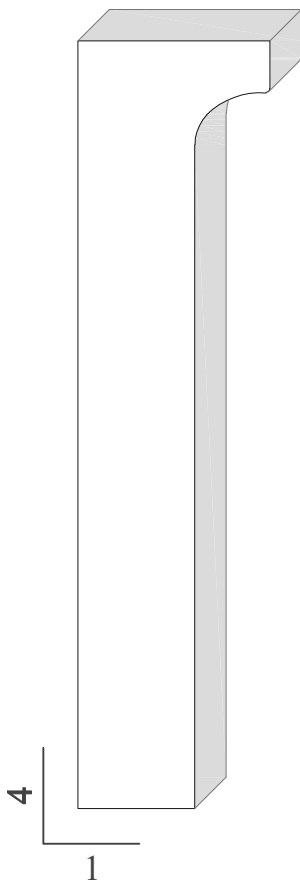
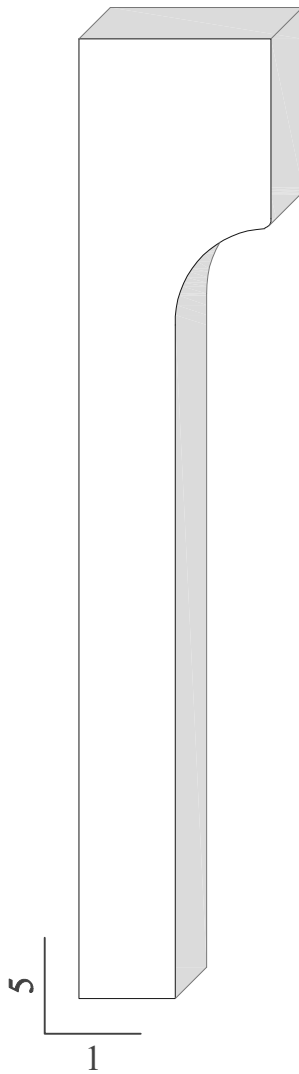


CT MOLDINGS

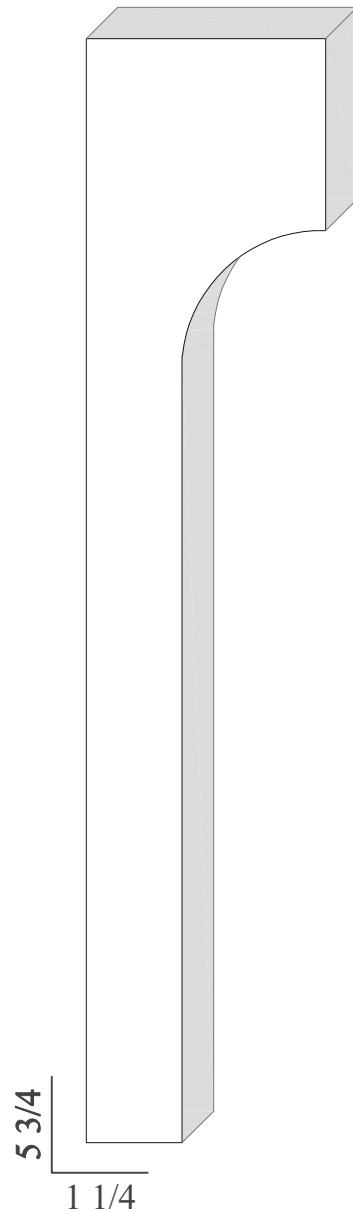
SOLID



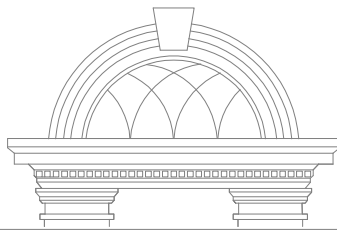
CTM | BM | 10017



CTM | BM | 10018

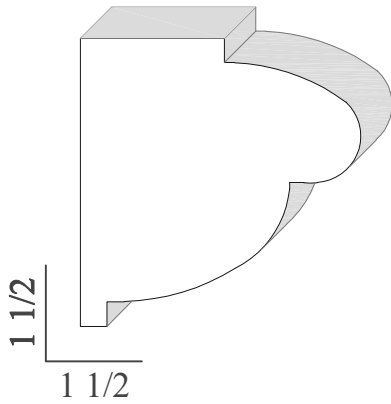


CTM | BM | 10019

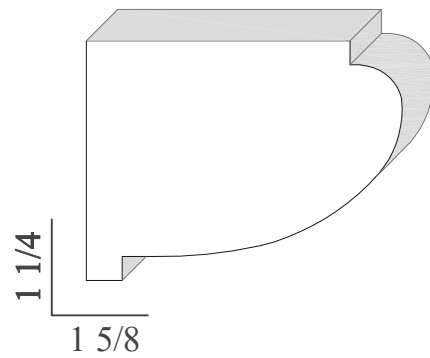


CT MOLDINGS

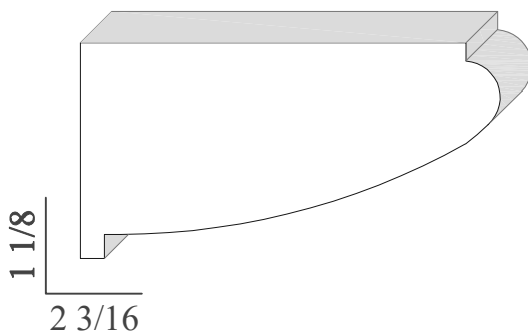
SOLID



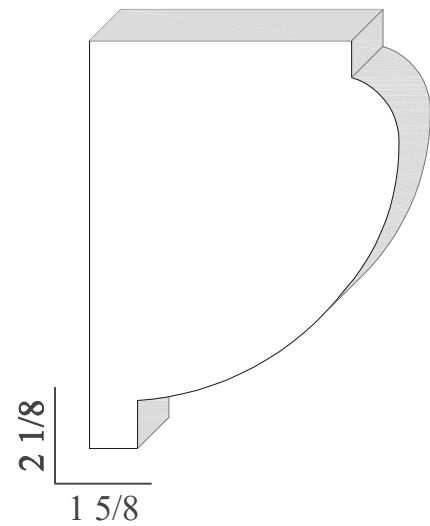
CTM | BM | 10000



CTM | BM | 10001



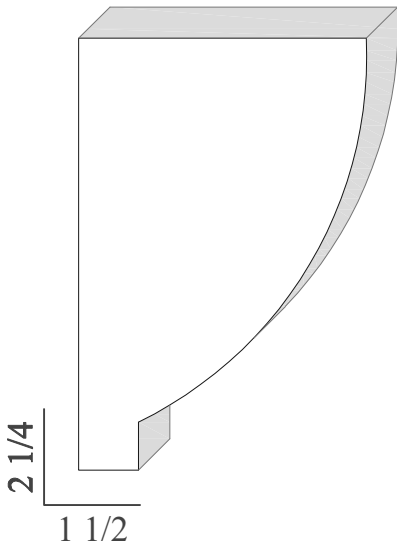
CTM | BM | 10002



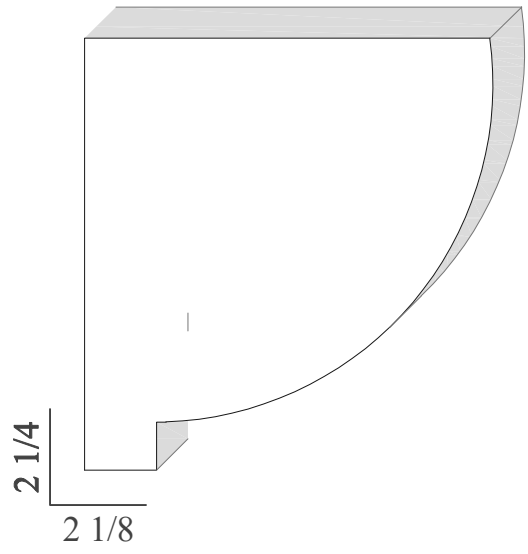
CTM | BM | 10003



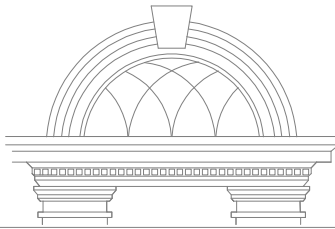
CT MOLDINGS
SOLID



CTM | BM | 10004

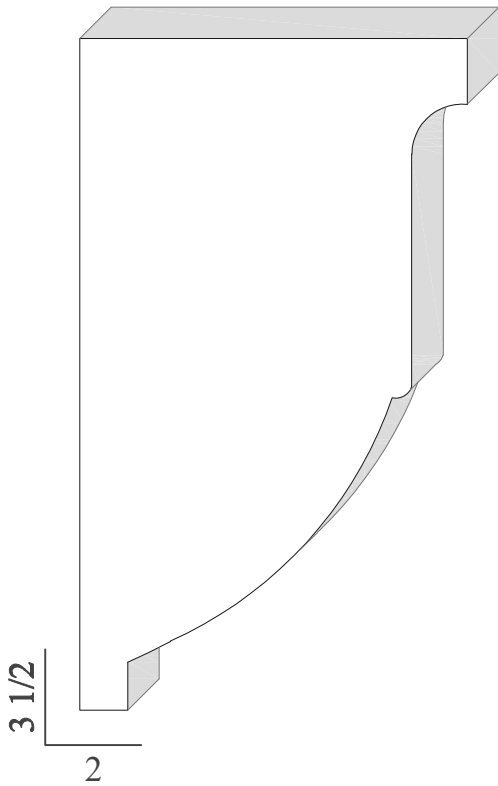


CTM | BM | 10005

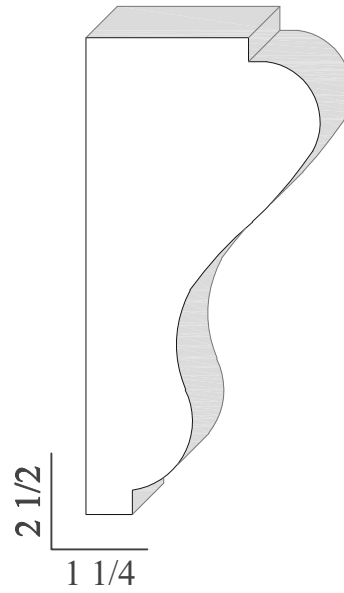


CT MOLDINGS

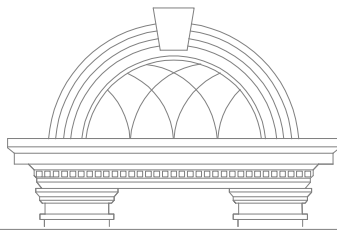
SOLID



CTM | BM | 10006

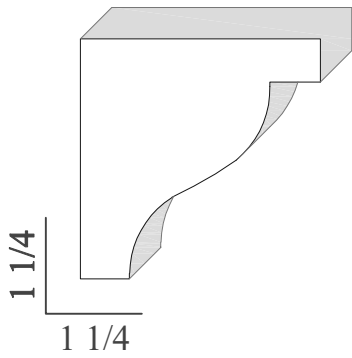


CTM | BM | 10007

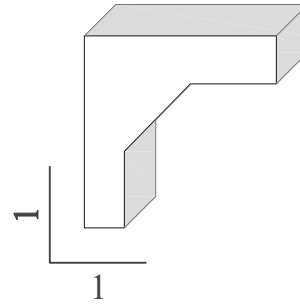


CT MOLDINGS

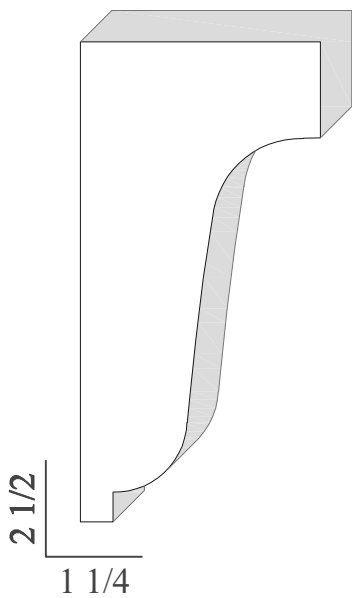
SOLID



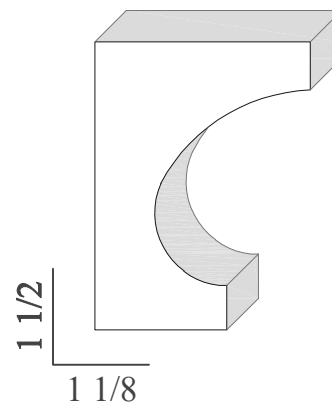
CTM | BM | 10009



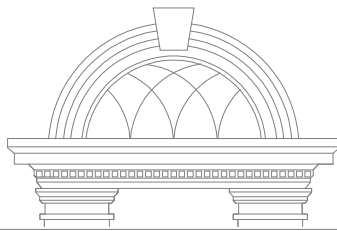
CTM | BM | 10010



CTM | BM | 10011

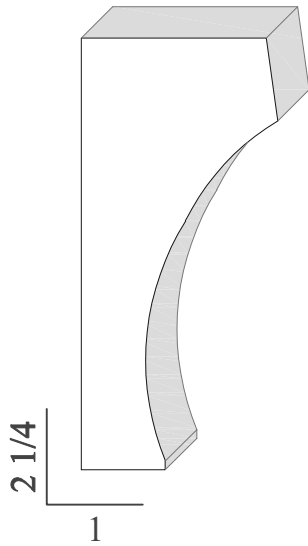


CTM | BM | 10012

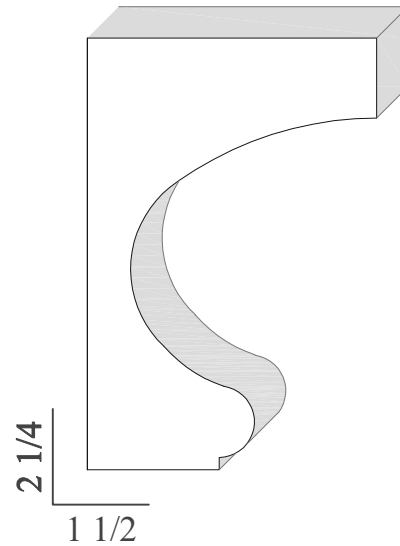


CT MOLDINGS

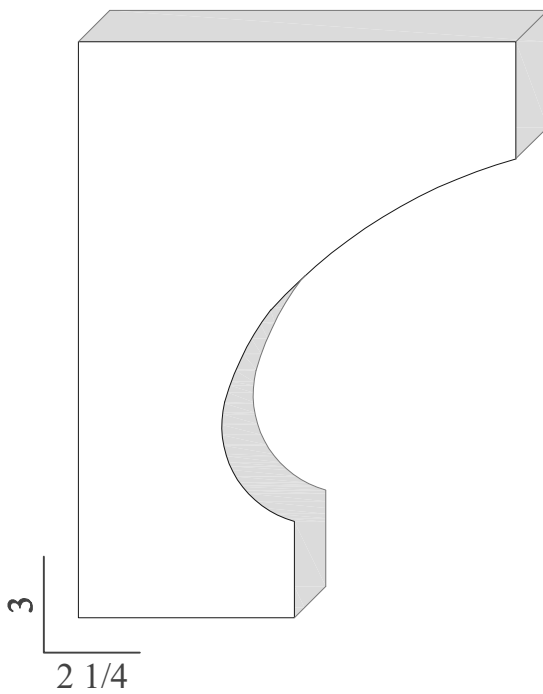
SOLID



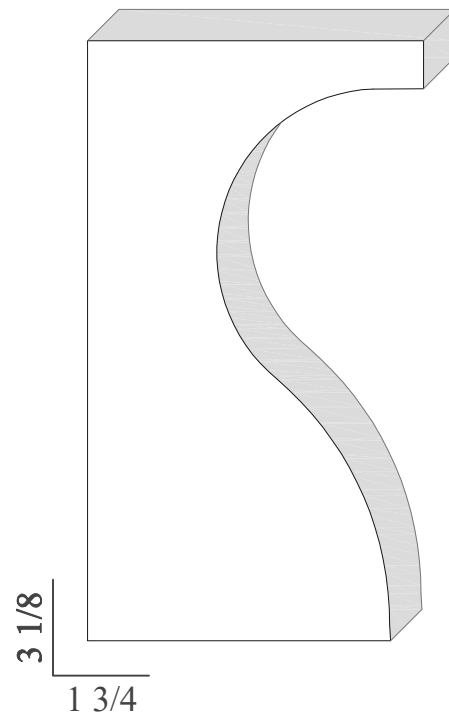
CTM | BM | 10013



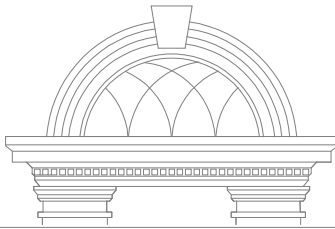
CTM | BM | 10014



CTM | BM | 10015

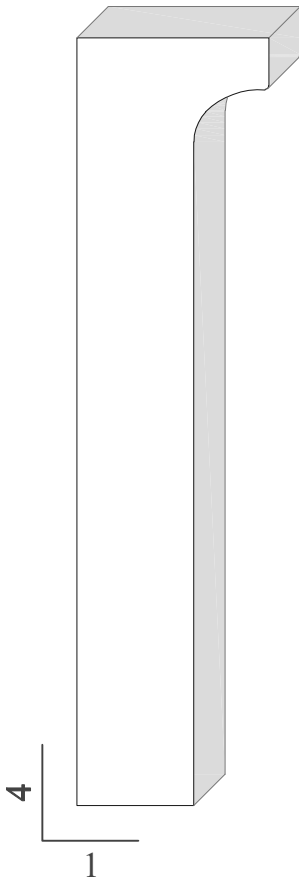


CTM | BM | 10016

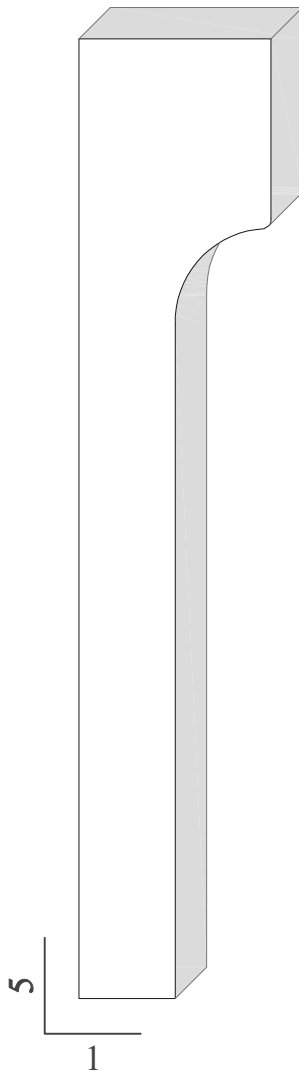


CT MOLDINGS

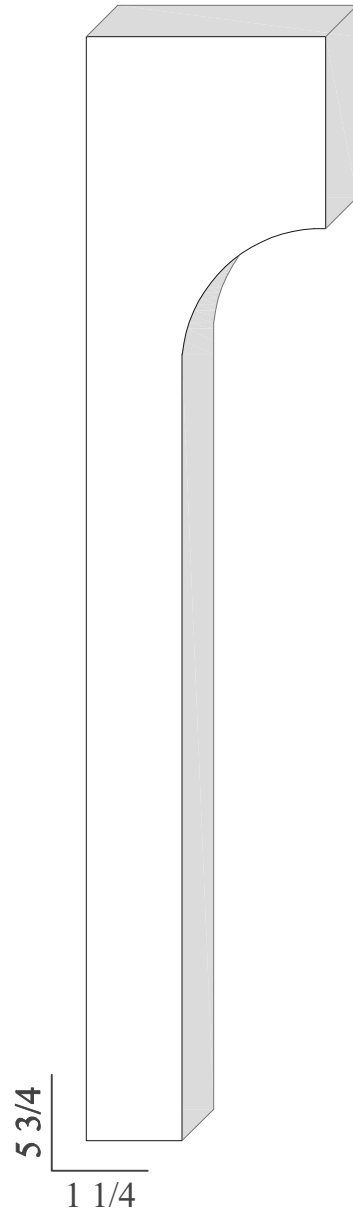
SOLID



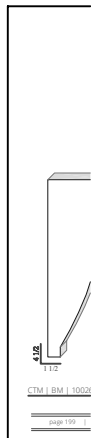
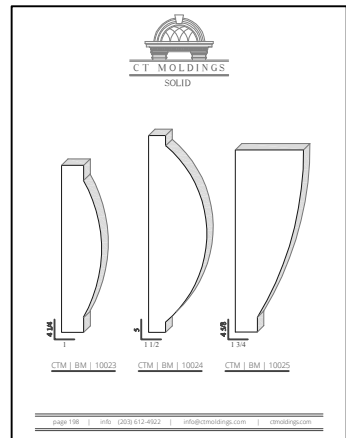
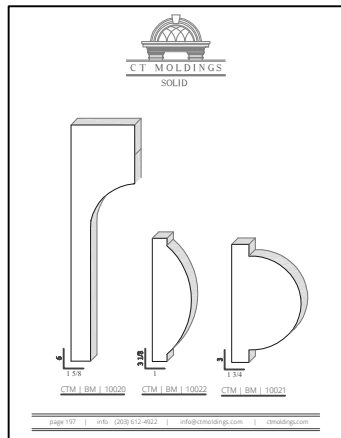
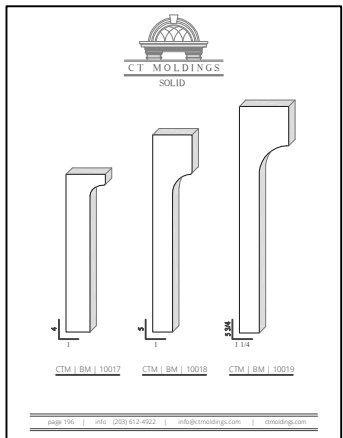
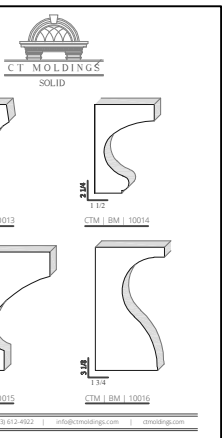
CTM | BM | 10017

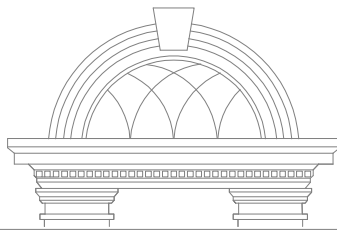


CTM | BM | 10018



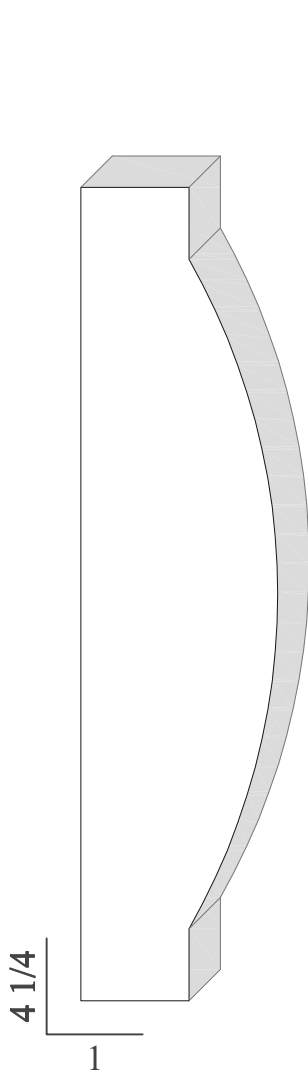
CTM | BM | 10019



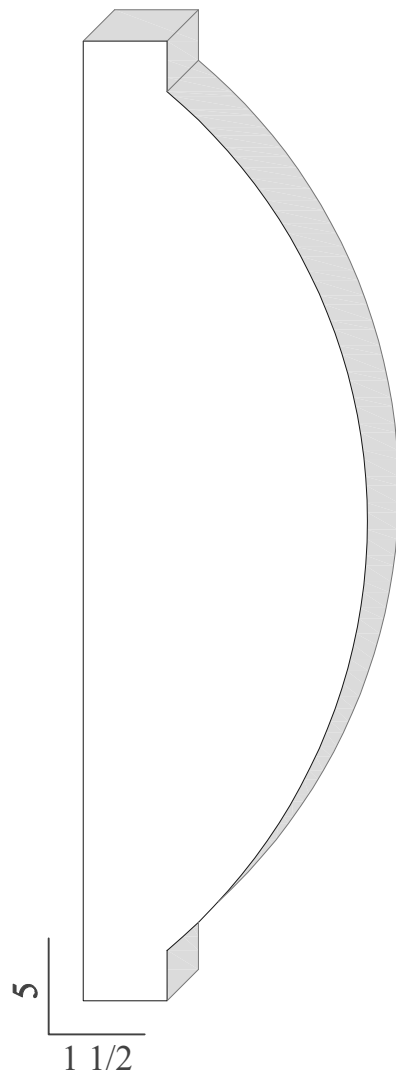


CT MOLDINGS

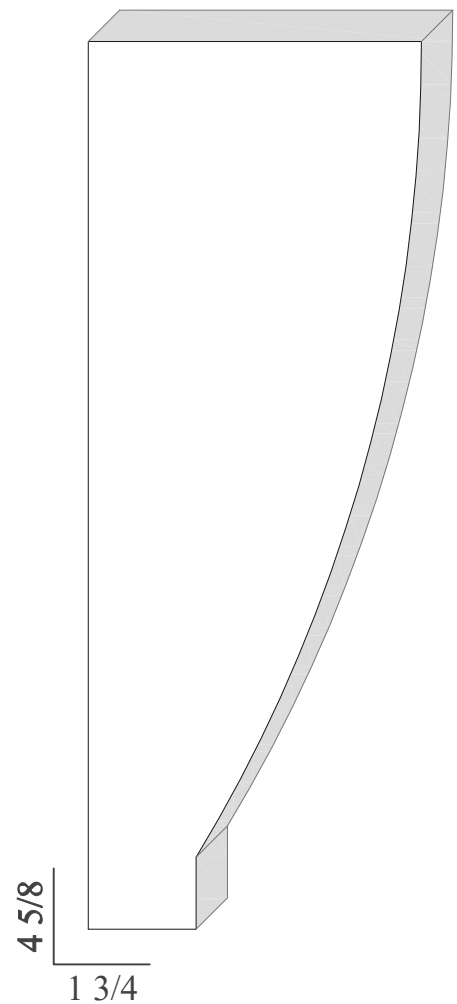
SOLID



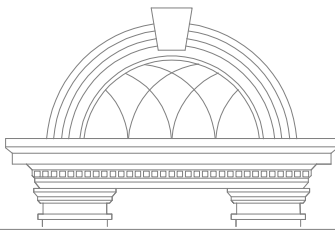
CTM | BM | 10023



CTM | BM | 10024

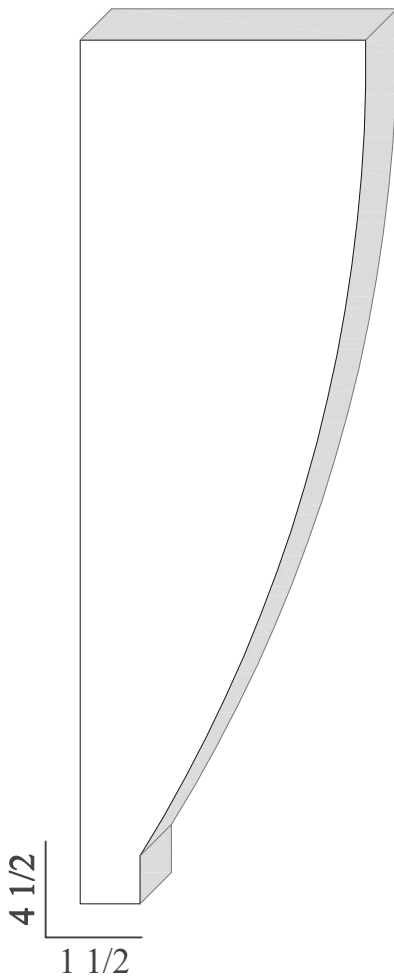


CTM | BM | 10025

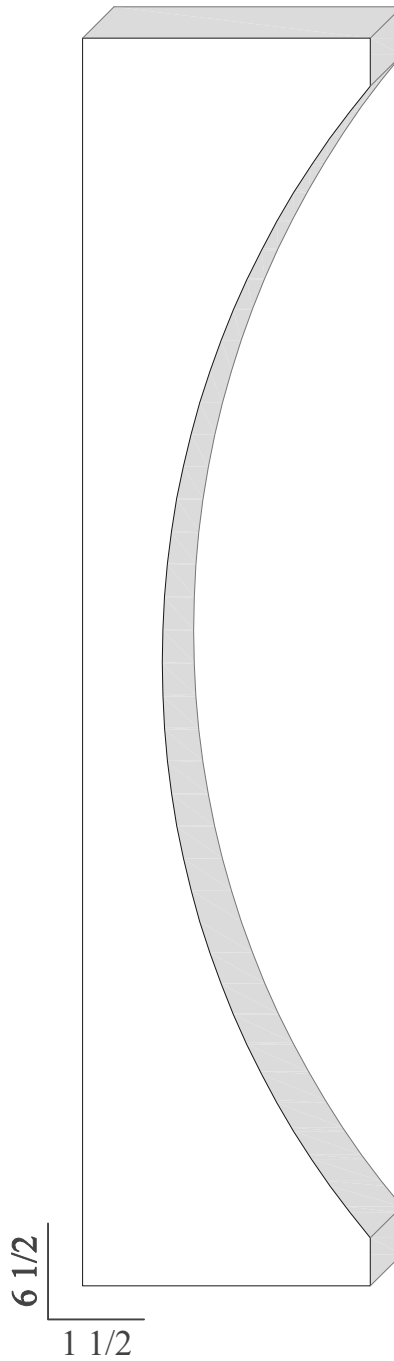


CT MOLDINGS

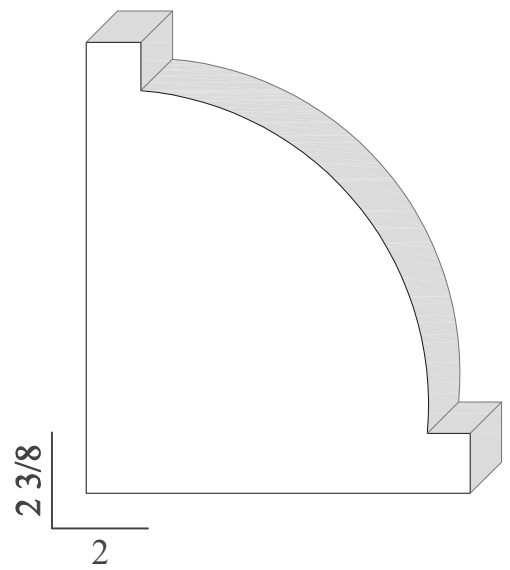
SOLID



CTM | BM | 10026



CTM | BM | 10027



CTM | BM | 10028